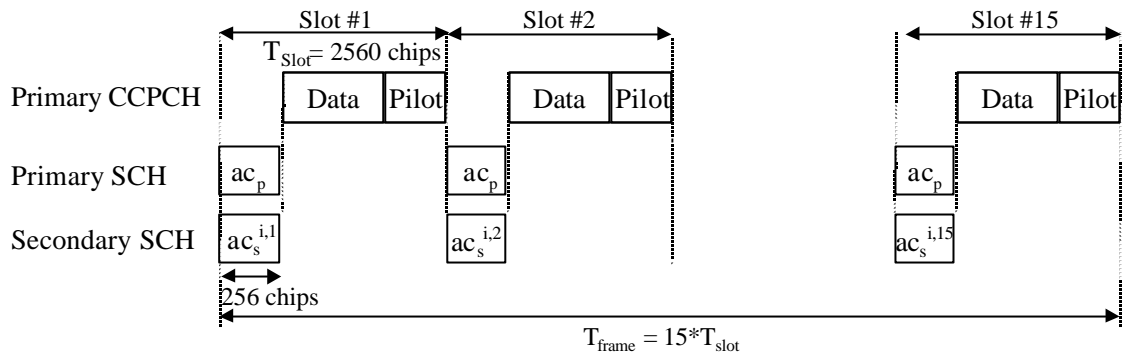


PCCPCH



c_p : Primary Synchronization Code

$c_s^{i,k}$: One of 16 possible Secondary Synchronization Codes

($c_s^{i,1}, c_s^{i,2}, \dots, c_s^{i,15}$) encode cell specific long scrambling code group i

a: Modulation on primary and secondary synchronization codes to indicate STTD encoding on PCCPCH